

## **TANK VALVES**

---

*For air bladder applications, bicycle suspension systems, telecom, water storage systems, etc.*



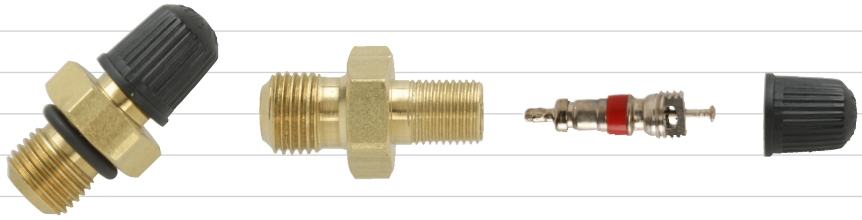
*Demand an authentic Schrader Pacific valve built by the company that set the quality standard for tank valves more than 50 years ago. Our reliable valves make us the industry leader in performance.*

Schrader Pacific's experienced product development staff provides unique solutions for unique applications. Schrader Pacific can meet requirements and specifications for performance, size-weight, and cost, whether it is a single component, sub assembly or module.

Existing Tank Valve applications cover many and varied uses from telecommunications to water storage. Schrader Pacific Tank Valves fit your application dependably and economically.

Don't see a combination you need? Contact Schrader Pacific or your nearest Schrader Pacific Distributor.

## Applications

Water Storage	
Air Bladder Applications	
Telecommunications	
Bicycle Suspension Systems	
Multiple Fluids Compatibility	

Schrader Pacific reserves the right to change any of the following specifications without notice. This document is meant to be used as reference only. For more specific information, or information regarding cores not listed here, please contact Schrader Pacific.

TANK VALVE INFORMATION

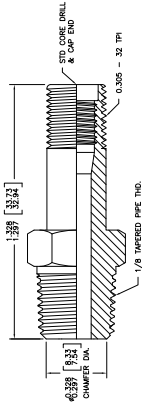
CURRENT HOUSING #	OLD MONROE HOUSING #	OVERALL LENGTH	THREAD SIZE	HEX SIZE
560	1498	1.312	1/4-18" NPT	9/16"
900	645	1.312	1/8-27" NPT	7/16"
901	1468	1.312	1/8-27" NPT	7/16"
904	9166	0.860	1/8-27" NPT	7/16"
906	NONE	0.937	1/8-27" NPT	7/16"
566	NONE	1.060	1/8-27" NPT	7/16"
557	NONE	1.000	1/4-18" NPT	9/16"

OLD NOMENCLATURE CONVERSION

HOUSING #	LETTER/CORE #	NUMBER/CAP #	ALTAVISTA/ CAP #	REMARKS
645	H = 2300	-5 = 2525 CAP	132790	2300 core replaced by 099141117
1468	L = 8500	-6 = 6300C CAP	074931	8500 core replaced by 054051000
1498	M = 1566	-8 = 7572 CAP	084421	
9166	P = 5405	-9 = 7612 CAP	761200	
	S = 6181	-11 = 7572S CAP	075720329	6181 core can be replaced by 8080801047
	W = 9914	-17 = 440 CAP	059980000	
	X = 6035	-18 = 660 CAP	135853	
		-20 = 2316C CAP	074501	

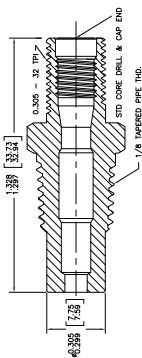
**Note: Valve core dictates pressure. See valve core brochure for details.**

**WARNING:** This product can expose you to chemicals, including Lead which is known to the State of California to cause cancer or birth defects or other reproductive harm.



**900 Series Tank Valves** Cap Thread .305-32 Tank Thread 1/8" NPT Low lead (LL) version available

Part Number	Valve Core	Cap	Finish	Application	Remarks
3890000047	015660113	135853	Nickel	Low Pressure	
3890000424	054051000	084421	Brass	Std Air	
3890010047	045750035	074931	Nickel	Low Pressure	
3890011075	054051000	084421	Nickel	Std Air	Loctite on pipe thds
3890030075	054051000		Nickel	Std Air	
3890060075	054051000	084421	Nickel	Std Air	
3890080075	015660113		Nickel	Low Pressure	
8090000070	054051000	074931	Nickel	Std Air	
8090001447	015660113	074931	Nickel	Low Pressure	
8090001547	099141117		Nickel	High Pressure	
8090001647	015660113		Nickel	Low Pressure	
8090001747	099141117	132790	Nickel	High Pressure	
8090001947	060350001	132790	Nickel	High Temp Air	
8090010070			Nickel		Body Only
8090030075	054051000	135853	Nickel	Std Air	
8090040047	8039700047		Brass	Water	Pull Core for Water Systems and Humidifiers
8090050047	054051000	135853	Brass	Std Air	
8090051047	8080580047	074931	Nickel	A/C	Springless Core

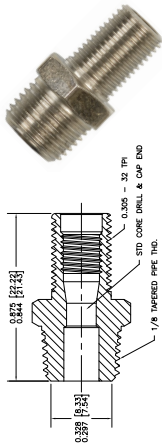


**901 Series Tank Valves** Cap Thread .305-32 Tank Thread 1/8" NPT

Part Number	Valve Core	Cap	Finish	Application	Remarks
8090113047	8080570047		Nickel	A/C	
8090120070	054051000	074931	Nickel	Std Air	
8090160047	015660113		Nickel	Low Pressure	
8090180047	099141117	132790	Nickel	High Pressure	
8090112047	054051000	084421	Nickel	Std Air	

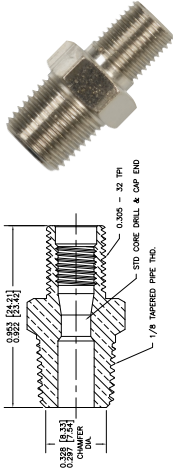
Due to the variety of operating conditions and applications, the customer is responsible to perform their own testing to ensure performance, safety and warranty requirements for the intended application.

**Note: Valve core dictates pressure. See valve core brochure for details.**



**904 Series Tank Valves** Cap Thread .305-32 Tank Thread 1/8" NPT

Part Number	Valve Core	Cap	Finish	Application	Remarks
8090400070			Nickel		Body Only
8090400947	054051000	761200	Nickel	Std Air	
8090401047	099141117	132790	Nickel	High Pressure	
8090401247	015660113	074931	Nickel	Low Pressure	
8090401347	054051000	231600	Nickel	Std Air	
8090401647	8080570047	074931	Nickel	A/C	
8090401847	8080570047	084421	Nickel	A/C	
8090410075	054051000		Nickel	Std Air	
8090411075	054051000	084421	Nickel	Std Air	
8090413047	054051000	135853	Nickel	Std Air	
8090420075	8080721047	084421	Nickel	Fuel	
8090430047	099141117	761200	Nickel	High Pressure	
8090440075	054051000		Nickel	Std Air	#79 locknut included
8090450047	054051000	115500	Nickel	Std Air	
8090470075	8080721047	135853	Nickel	Fuel	
8090480070			Brass		Body Only
8090490075	8080580047	084421	Nickel	A/C	

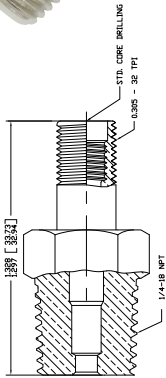


**906 Series Tank Valves** Cap Thread .305-32 Tank Thread 1/8" NPT Low lead (LL) version available

Part Number	Valve Core	Cap	Finish	Application	Remarks
3890600057	054051000	084421	Brass	Std Air	
3890600075			Nickel		Body Only
3890620070	8080721047	084421	Nickel	Fuel	
3890640075	054051000	084421	Nickel	Std Air	
3890641075	054051000	084421	Nickel	Std Air	Loctite® on pipe threads
3890642075	054051000		Nickel	Std Air	Loctite® on pipe threads
3890650075	054051000	135853	Brass	Std Air	
3890670070	8080721047	135853	Nickel	Fuel	Cap packed separately
3890690070	8080721047	084421	Nickel	Fuel	Cap packed separately
8090601347	015660113	135853	Nickel	Low Pressure	
8090601447	099141117	059980000	Nickel	High Pressure	
8090601547	054051000	074931	Nickel	Std Air	
8090601647	045750035	084421	Nickel	Low Pressure	
8090620075	054051000	135853	Nickel	Std Air	
8090630075	8080801047	135853	Nickel	Fuel	Alternative Fuels
8090650075	054051000	084421	Nickel	Std Air	Cap packed separately
8090670047			Brass		Body Only
8090680047	8080580047	084421	Nickel	A/C	
8090690047	099141117	084421	Nickel	High Pressure	

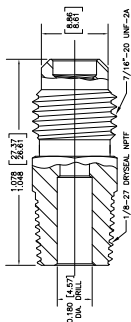
Note: Valve core dictates pressure.  
See valve core brochure for details.

**WARNING:** This product can expose you to chemicals, including Lead which is known to the State of California to cause cancer or birth defects or other reproductive harm.



**560 Series Tank Valves** Cap Thread .305-32 Tank Thread 1/4" NPT Low lead (LL) version available

Part Number	Valve Core	Cap	Finish	Application	Remarks
8056001147	060350001	059980000	Bright Dip	High Temp Air	
8056011047			Bright Dip		Body Only
8056012047	8080580047	084421	Bright Dip	A/C	
8056013047	015660113	135853	Bright Dip	Low Pressure	
8056014047	015660113	074931	Bright Dip	Low Pressure	
8056015047	015660113	074501	Bright Dip	Low Pressure	
8056016047	015660113	074931	Bright Dip	Low Pressure	
8056017047	015660113		Bright Dip	Low Pressure	
8056020047	054051000	074931	Bright Dip	Std Air	
8056021047	054051000	084421	Nickel	Std Air	
8056030047	015660113	084421	Nickel	Low Pressure	
8056040047	054051000	135853	Bright Dip	Std Air	
8056050047	8080588047	074931	Brass	A/C	Springless valve core
8056060047	8080570047	074931	Bright Dip	A/C	
8056061047	099141117	132790	Bright Dip	High Pressure	
8056062047	8080570047	074501	Bright Dip	A/C	Black Onyx Cap
8056080047	8080721047	084421	Bright Dip	Fuel	
8056090047	054051000	084421	Bright Dip	Std Air	



**566 Series Tank Valves** Cap Thread 7/16-20 UNF Tank Thread 1/8" NPT

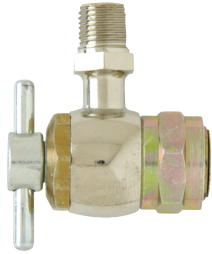
Part Number	Valve Core	Cap	Finish	Application	Remarks
8056610047	8080721047	205080	Bright Dip	Fuel	
8056611047	045750035		Bright Dip	Low Pressure	
8056611147	8080721047	205235	Bright Dip	Fuel	Nylon Refrigeration Cap
8056612047	054051000		Bright Dip	Std Air	
8056620047	8080570047		Bright Dip	A/C	
8056622047	8080580047	205240	Bright Dip		Nylon Refrigeration Cap
8056640047	8080801047	205240	Nickel	Fuel	Nylon Refrigeration Cap
8056650047	8080721047	205080	Nickel	Fuel	
8056670047			Brass		Body Only
8056680047	054051000	205130	Bright Dip	Std Air	Dry Seal
8056683547	8080570047	205080	Bright Dip	A/C	Loctite® on pipe threads
8056690047	8080721047	205235	Nickel	Fuel	Nylon Refrigeration Cap

Due to the variety of operating conditions and applications, the customer is responsible to perform their own testing to ensure performance, safety and warranty requirements for the intended application.

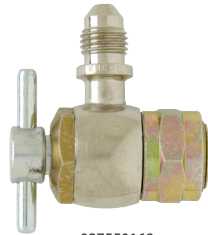
Note: Valve core dictates pressure. See valve core brochure for details.

**High Pressure Inflating Connectors**

These high pressure inflating connections attach securely by hand or wrench to the valve cap threads of high pressure valves. They can be fitted to gauging and inflating devices by a variety of methods. Various angles permit easy attachment to hard-to-reach valves.



005560099



027550169  
027550008



050070099



061160001



057840099

Part Number	Generic Number	Thread Size	Air Line Connection	Max. Pressure (PSIG)	Configuration	Recommended Max. Torque to Valve Mouth*	Remarks
005560099	556	.305"-32	1/8" NPT Male	3,000	Air line connection 90 to axis of valve	50 in.-lb.	Has core depressor pin, copper sealing washer 027550080
027550169	2755	.305"-32	3/8"-24 thread for 3/16" flare tube fitting, meets SAE A54395	3,000	Air line connection 90 to axis of valve	50 in.-lb.	Has core depressor pin, copper sealing washer 027550080
027550008	2755L Large Bore	.485"-26	3/8"-24 thread for 3/16" flare tube fitting	3,000	Air line connection 90 to axis of valve	50 in.-lb.	Has core depressor pin, copper sealing washer 027550012
050070099	5007	.305"-32	7/16"-20 thread for 1/4" flare tube fitting, meets SAE AS4395	15,000	Straight	75 in.-lb. for steel valves	Copper sealing washer 027550080
061160001	6116	.305"-32	1/8" NPT Female	3,000	Air line connection 70 to axis of valve	30 in.-lb.	Hard fiber sealing washer 0611650001 (1) pc 0611650025 (25) pcs
057840099	5784	.305"-32	7/16"-20 thread for 1/4" flare tube fitting, meets SAE AS4395	5,000	Air line connection 70 to axis of valve	30 in.-lb.	Hard fiber sealing washer 019370029

\* It may be necessary to replace the sealing washers after a number of uses to insure sealing on valve mouth

**WARNING:** This product can expose you to chemicals, including Lead which is known to the State of California to cause cancer or birth defects or other reproductive harm.



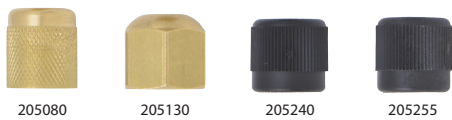
## TANK VALVES

### Available Cap Styles

Schrader Pacific provides a wide range of caps to meet any application. Caps below are for .305"-32 threads.



Caps below are for 7/16"-20, 1/4" flare threads.



### Valve Cores

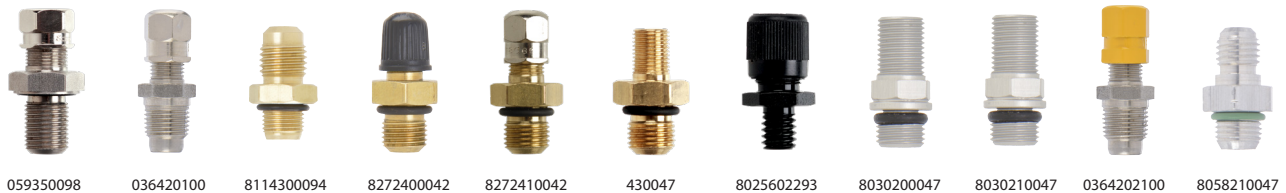
Ask for more information to see full valve core selection.



\*Low Lead (LL) Version available

For a complete list of valve cores, see Product Materials section under Valve Cores at [www.Schrader-Pacific.com](http://www.Schrader-Pacific.com) to download a complete valve core catalog.

### Specialty Valves



Part Number	Valve Core	Cap	Finish	Application	Remarks	Tank Thread	Cap Thread
059350098	099141117	059340098	Stainless	High Pressure	O-Ring, Shock Absorber Valve	1/2-20 UNF-3A	.482-26
036420100	054051000	761200	Stainless	Std Air	With Filter	1/8-27 NPT	.305-32
8114300094	8080580047		Brass	A/C	O-Ring	1/8-28 British	7/16-20 UNF-2A
8272400042	8080721047	135853	Brass	Fuel	O-Ring (H1341 Housing)	M10x1	.305-32
8272410042	099141117	761200	Brass	Fuel	O-Ring (H1341 Housing)	M10x1	.305-32
430047	054051000		Brass	Std Air	O-Ring (H1341 Housing)	M10x1	.305-32
8025602293	8080721047	205255	Blk Chrome	Fuel		5/16-18 UNC-2A	7/16-20 UNF-2A
8030200047	054051000		Aluminum	Std Air	O-Ring	5/16-32 UNEF-2A	.305-32
8030210047	8080731047		Aluminum	Fuel	O-Ring	5/16-32 UNEF-2A	.305-32
0364202100	099141117	132790	Stainless	Std Air	With Filter	1/8-27 NPT	.305-32
8058210047	8080580047		Aluminum	A/C	O-Ring	1/2-20 UNF-2A	M12x1.5-6g

### Low-lead Tank Valve Assemblies

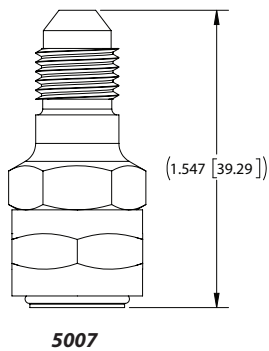
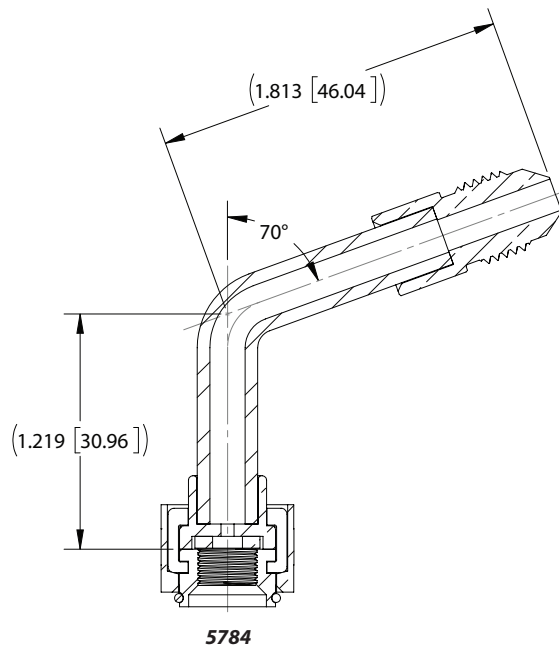
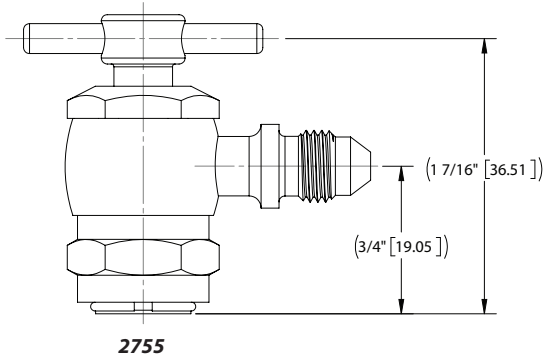
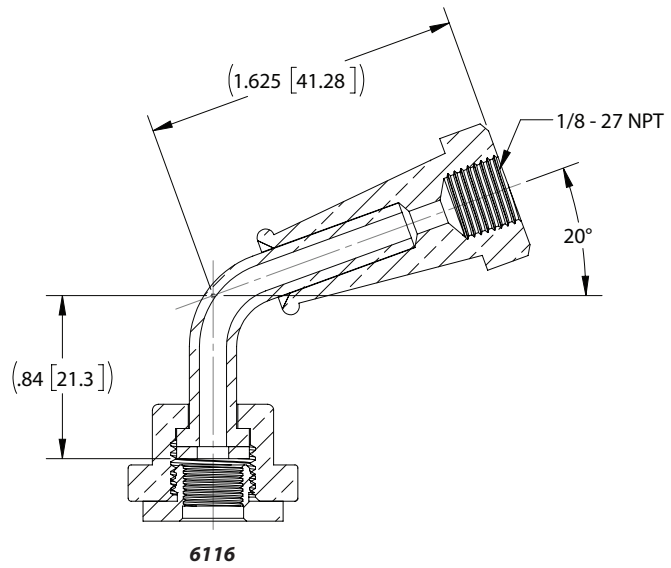
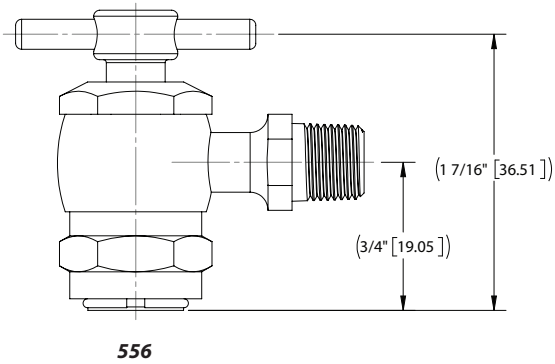
With recent legislation in several states tightening regulation of lead content in the components of potable (drinking) water systems, Schrader Pacific has developed a line of tank valve assemblies that are compliant

with NSF/ANSI Standard 61 Annex G, which limits assembly lead content to not more than 0.25% maximum of the wetted surfaces. Contact Schrader Pacific for sizes and availability.

Due to the variety of operating conditions and applications, the customer is responsible to perform their own testing to ensure performance, safety and warranty requirements for the intended application.

**Note: Valve core dictates pressure. See valve core brochure for details.**

**High Pressure Connectors**  
**Detailed customer drawings available.**  
**Sections shown for size reference.**



**SCHRADER PACIFIC**  
 Advanced Valves

205 Frazier Road  
 Altavista, Virginia 24517

**1.800.345.0578**

www.Schrader-Pacific.com