



## Water alarm unit WW6

The ingress of water or condensation in hydraulic or lubrication systems changes the properties of the oil and increases wear on bearings and other components. The separated free water therefore needs to quickly be removed from oils with good demulsifying properties.

To detect free water in these applications, physical interface measurement is a reliable method and the basis for our unique water alarm. Optional installation kits make them easier to install and assemble.

Reliable, physical measuring process

High sensitivity

Easy installation

Independent of oil chemistry

Assembly kit available

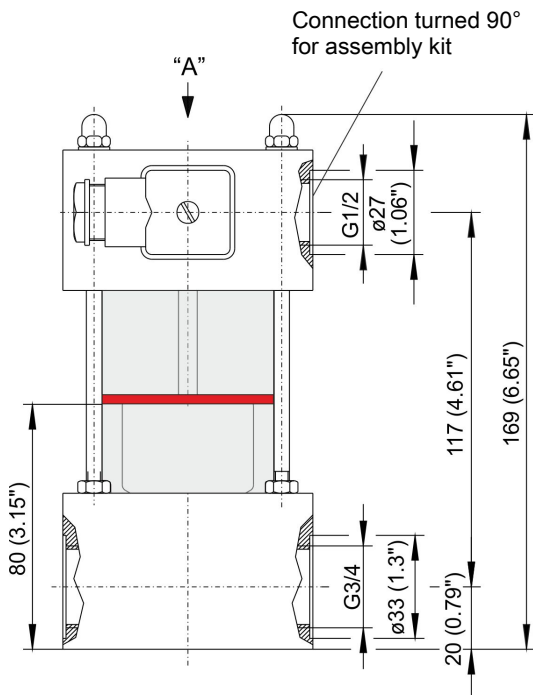


Technical Data

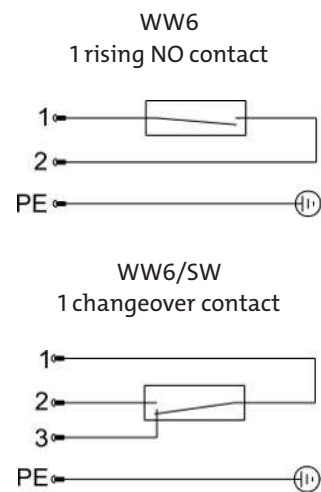
Technical Data WW6

Max. operating pressure:	6 bar
Operating temperature:	min. 0 °C, max. 80 °C
Max. viscosity:	1200 mm <sup>2</sup> /s
Max. density of oil:	0.86 kg/dm <sup>3</sup>
<b>Material</b>	
Housing:	Al/PC
Float	PP
Contact type:	Reed contact as NO or changeover contact
Max. operating voltage:	230 V AC/DC
Max. switching output:	50 VA/40 VA
Max. switching current:	1 A
Plug connection:	M3 (3-pin + PE DIN EN 175301-803)
IP rating:	IP65
Cable fitting:	PG 11
Weight:	approx. 1.35 kg

Dimensions/contact assignment



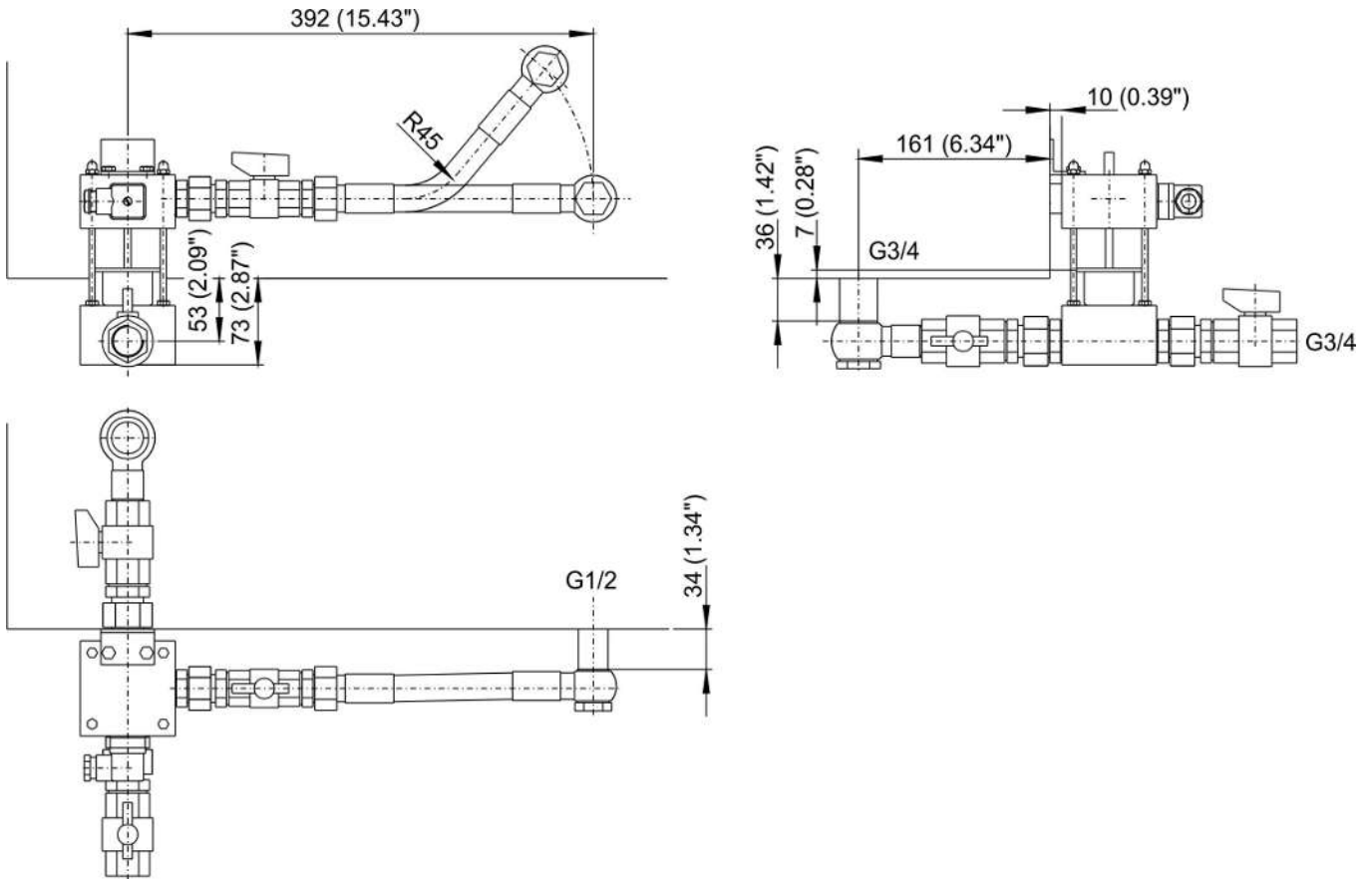
Contact assignment



All information are **empty tank** or float on bottom.

**Assembly kit**

The assembly kit shown enables compact and easy installation of the water alarm to the oil tank. The set includes all connections, fittings and shut-off valves. The fitting lengths provide the smallest possible dead volume. The upper connection is a transparent hose for considerably easier installation.



**Ordering Instructions**

Item no.:	Description
30 03 999	Water alarm WW6, one rising NO contact
30 16 999	Water alarm WW6, G1/2 connection turned 90°
30 03 899	WW6 including assembly kit
30 04 999	Water alarm WW6/SW, one changeover contact
30 17 999	Water alarm WW6/SW, G1/2 connection turned 90°
30 04 699	WW6/SW including assembly kit
32 04 999	Assembly kit