

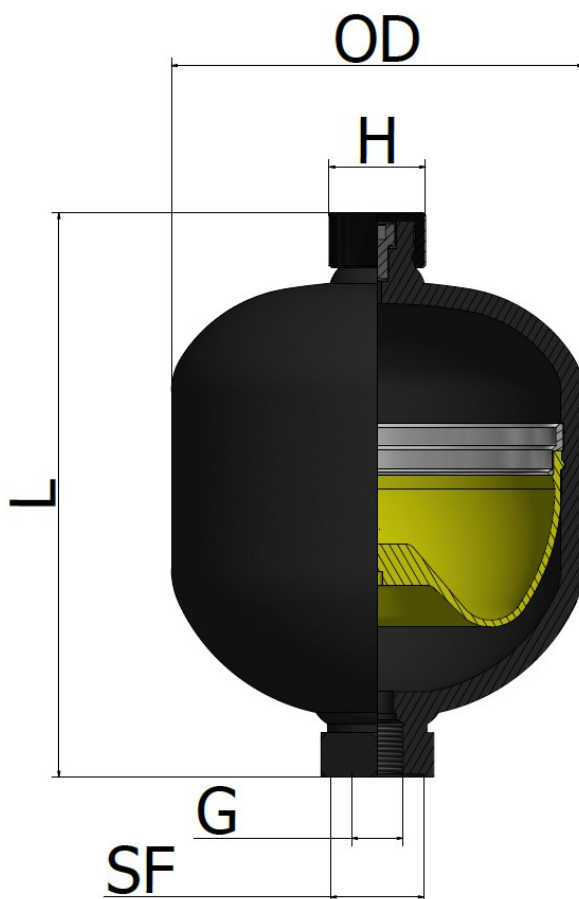
EDA

Diaphragm Accumulators



Specifications

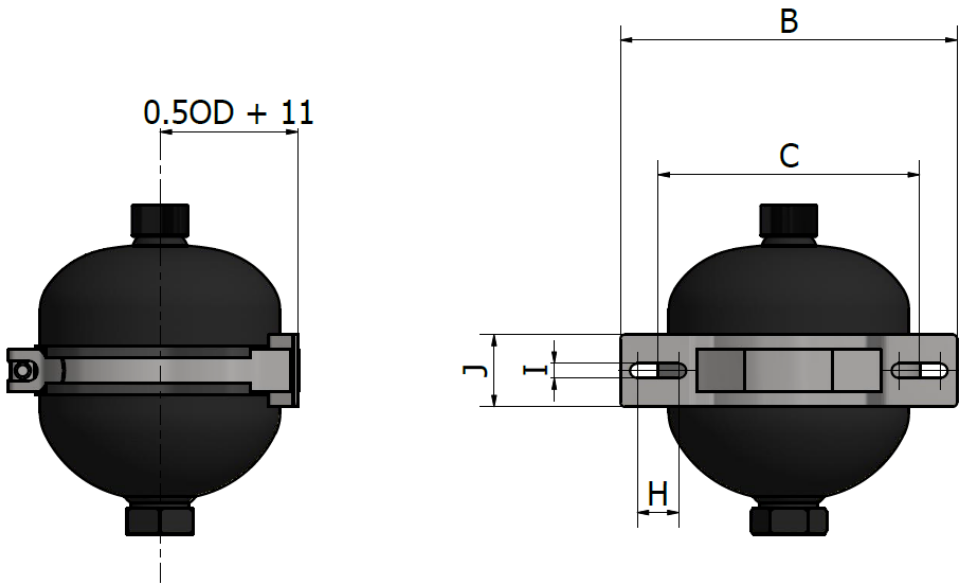
Design Pressure	210 bar
Design Temperature	-20 to +90
Design Standard	EN14359
Shell Material	Carbon Steel
Diaphragm Material	ECO
Protective Cap	Anodized AL
Internal Lining	None
External Coating	Black RAL 9005



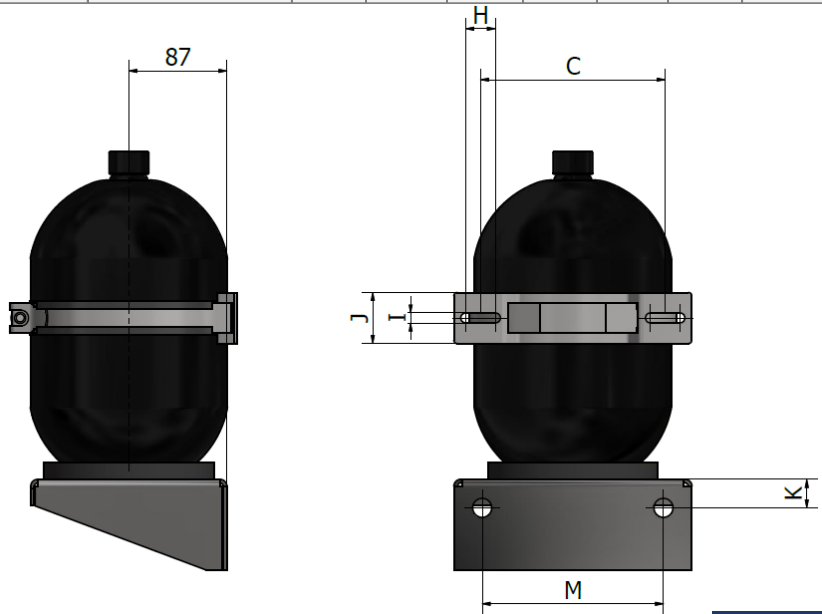
Model	Design Pressure (bar)	Volume (ltr)	Fluid Connection (G)	SF (mm)	Gas Connection (H)	Weight (kg)	L (mm)	OD (mm)	AS4343 Hazard Level	WorkSafe Rego
EDA0.075/250	250	0.075	G1/2	29	M28x1.5	0.8	113	64	E	NO
EDA0.16/210	210	0.16	G1/2	34	M28x1.5	1.2	126	75	E	NO
EDA0.32/210	210	0.32	G1/2	34	M28x1.5	1.5	143	93	E	NO
EDA0.5/210	210	0.5	G1/2	34	M28x1.5	1.8	153	105	E	NO
EDA0.75/210	210	0.75	G1/2	34	M28x1.5	2.6	169	120	D	YES
EDA1.0/210	210	1	G1/2	34	M28x1.5	4.4	183	136	D	YES
EDA1.4/210	210	1.4	G1/2	34	M28x1.5	5.3	205	150	D	YES
EDA2.0/210	210	2	G3/4	34	M28x1.5	6.6	223	166	C	YES
EDA2.8/210	210	2.8	G3/4	34	M28x1.5	11	266	176	C	YES
EDA3.5/210	210	3.5	G3/4	34	M28x1.5	14	315	174	C	YES

Mounting Equipment

Model	Clamp	Bracket	A (mm)	B (mm)	C (mm)	H (mm)	I (mm)	J (mm)	Clamp Mount Bolt	K (mm)	M (mm)	Bracket Mount Bolt
EDA0.075/250	~	~	~	~	~	~	~	~	~	~	~	~
EDA0.16/210	~	~	~	~	~	~	~	~	~	~	~	~
EDA0.32/210	20022-C17U-000	~	129	155	114	9	40	35	M8	~	~	~
EDA0.5/210	20007-C17U-000	~	140	155	114	9	40	35	M8	~	~	~
EDA0.75/210	20009-C17U-000	~	155	155	114	9	40	35	M8	~	~	~
EDA1.0/210	20008-C17U-000	~	171	155	114	9	40	35	M8	~	~	~
EDA1.4/210	20011-C17U-000	~	182	210	163	9	45	35	M10	~	~	~



Model	Clamp	Bracket	A (mm)	B (mm)	C (mm)	H (mm)	I (mm)	J (mm)	Clamp Mount Bolt	K (mm)	M (mm)	Bracket Mount Bolt
EDA2.0/210	20006-C17U-000	20005-C17D-000	202	210	163	9	45	35	M10	25	160	M16
EDA2.8/210	20006-C17U-000	20005-C17D-000	202	210	163	9	45	35	M10	25	160	M16
EDA3.5/210	20006-C17U-000	20005-C17D-000	202	210 <td 163	9	45	35	M10	25	160	M16	



BESPOKE

Options

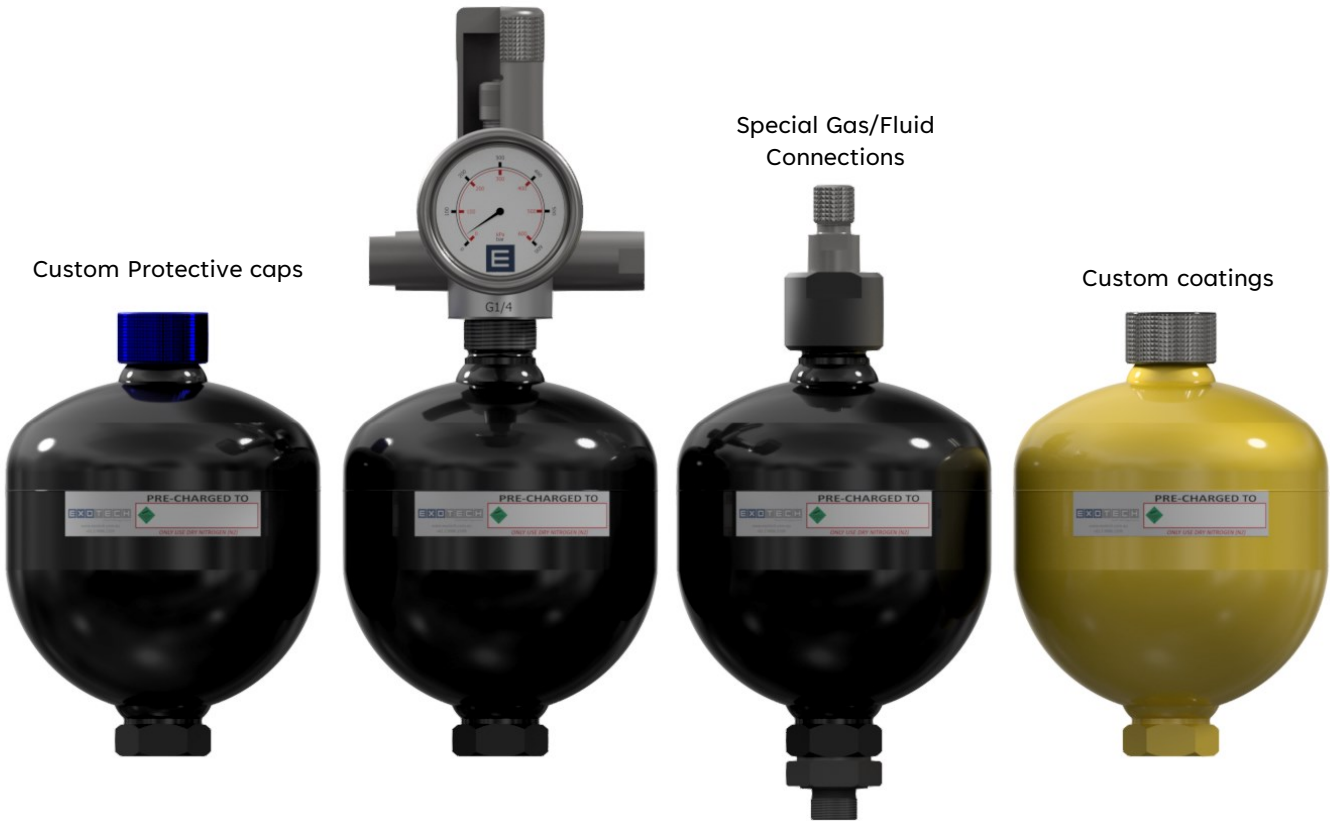
Permanent charge heads

- Pressure gauges
- Burst discs

Custom Protective caps

Special Gas/Fluid
Connections

Custom coatings



Contact Exotech to discuss how we can customise a product for your application